
VetVision HF-AP



**Veterinary Specific
High Frequency,
Anatomically Programmed
Radiographic Suite**

The VetVision HF is a veterinary specific radiographic suite with an integrated tubestand and anatomically programmed generator that offers user-friendly modes of operation . Patient positioning is made easy with your choice of a stationary top table or two or four-way float top table.



**VISION
IMAGING**
PARTNERS, INC.

VetVision HF-AP Standard Features

- Welded construction table with fluid trap.
- Integrated tubestand travels full length of table.
- Grid cabinet with tubestand interlock and 8:1 ratio, 103 line aluminum grid and cassette tray.
- Angulating tube arm with angulation readout and operator handles.
- Electric locks.
- Foot activated exposure switch.
- Non-certified manual collimator with spare bulb & tape measure
- Control console mounts to swing-out arm at table for convenient technique setup and fine-tuning.
- X-ray tube: 140,000 heat unit, 1.0-2.0mm focal spots with 90 degree horn angle
- Pair 20' high voltage cables, federal terminations
- Anthem Generator

- Anatomical programming
- 400 mA maximum output
- 30 kW, single phase
- Two point operation provides individual control of kV and Mas
- Three point operation provides individual control of mA, kV and time



Table Options

- VetVision HF-AP Plus 4 - with a four-way float top table.
- VetVision HF-AP Plus - with a two-way float top table.

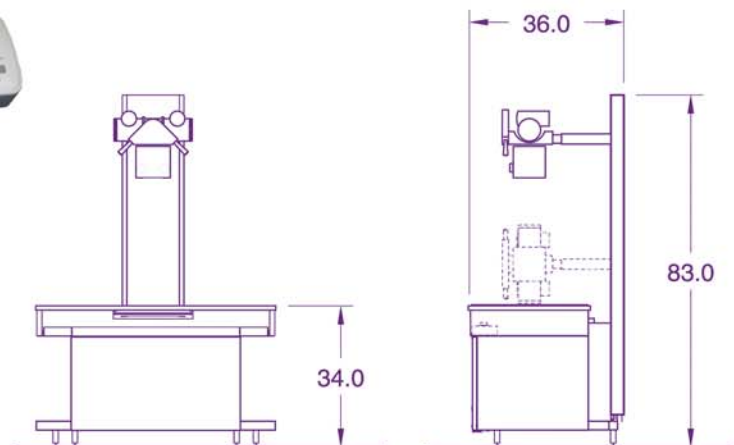
Generator Options

- Pedestal stand
- Electronics mount in base of table

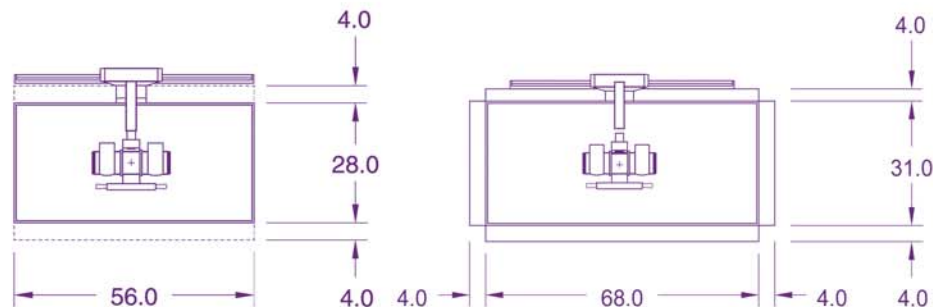


Manufacturer's Statement

- Specifications are subject to change without notice.
- UL60601 and CAN/CSA approved
- Complies with CDRH performance standards in effect at time of shipment.
- An ISO 13485 & ISO 9001 Certified Facility.



All VetVision HF-AP systems



VetVision HF-AP Plus

VetVision HF-AP Plus 4